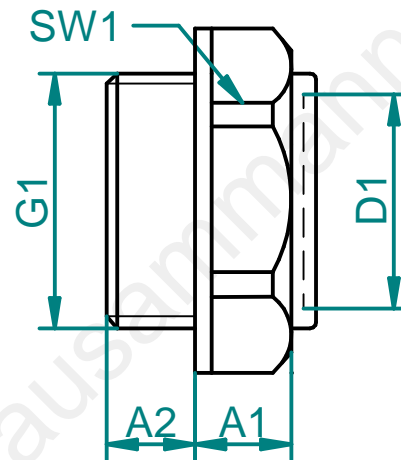


| General tolerances ISO 2768-m |      |              |                |                |                  | Index | Date | Visum | Modification | Index | Date | Visum | Modification |
|-------------------------------|------|--------------|----------------|----------------|------------------|-------|------|-------|--------------|-------|------|-------|--------------|
| Basic-size                    | ...6 | > 6<br>...30 | > 30<br>...120 | >120<br>...400 | > 400<br>...1000 |       |      |       |              |       |      |       |              |
| medium                        | ±0.1 | ±0.2         | ±0.3           | ±0.5           | ±0.8             |       |      |       |              |       |      |       |              |



| Specifications points D,K,H |  |
|-----------------------------|--|
| D= doc.points               |  |
| K= critical                 |  |
| H= main                     |  |

|   |                  |  |  |   |           |
|---|------------------|--|--|---|-----------|
|   |                  | Material: Alu.   |  |   |           |
|   |                  | Scale  |  |   |           |
|   |                  |  |  | Date  | Visum     |
|   |                  | plotted  |  | 27.07.11  | E.Z       |
|   |                  | checked  |  |   |           |
|   |                  | 13.227   |  | Format  | Index     |
|   |                  | <b>Solid Edge</b>  |  | <b>A4</b>   | <b>00</b> |
| Accord-draw.no.:  | Origin-draw.no.: |  |  |   |           |
| Replacement for:  |                  |  |  |   |           |
| © 2010, Für dieses Dokument behalten wir uns alle Rechte vor. |                  | © 2 010, Nous nous reservons tous les droits sur ce document |  | © 2 010, We reserve all rights in connection with this document |           |